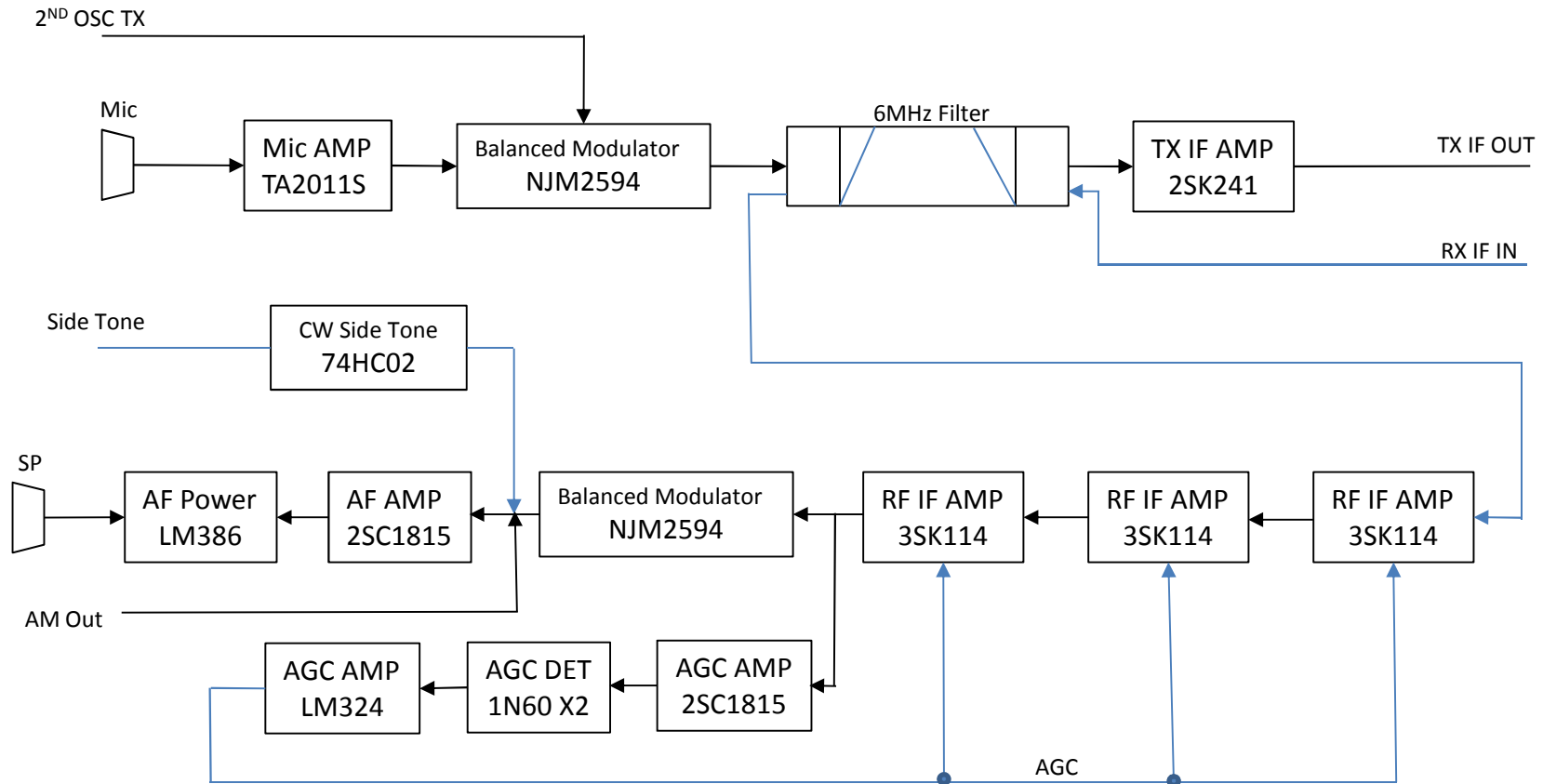
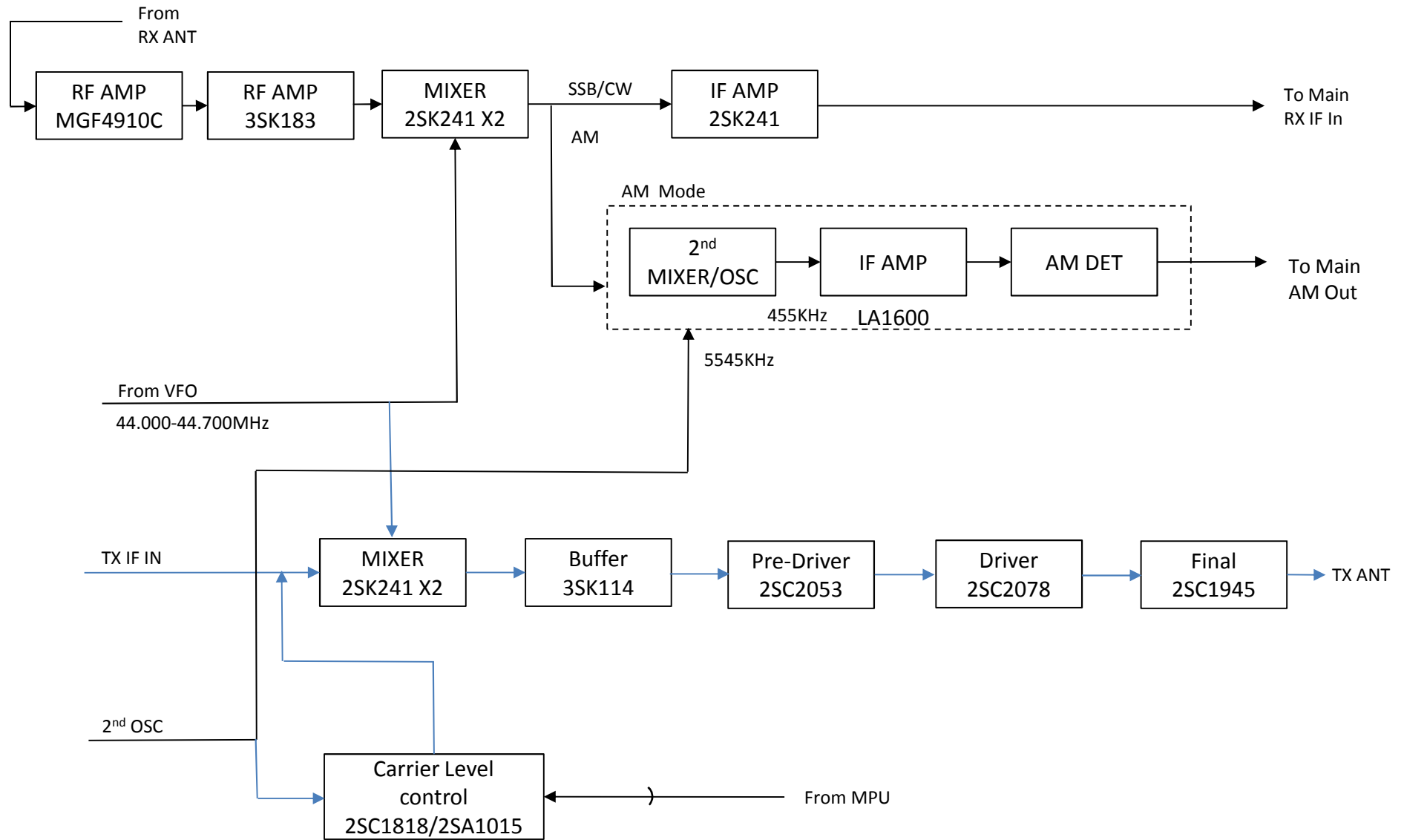


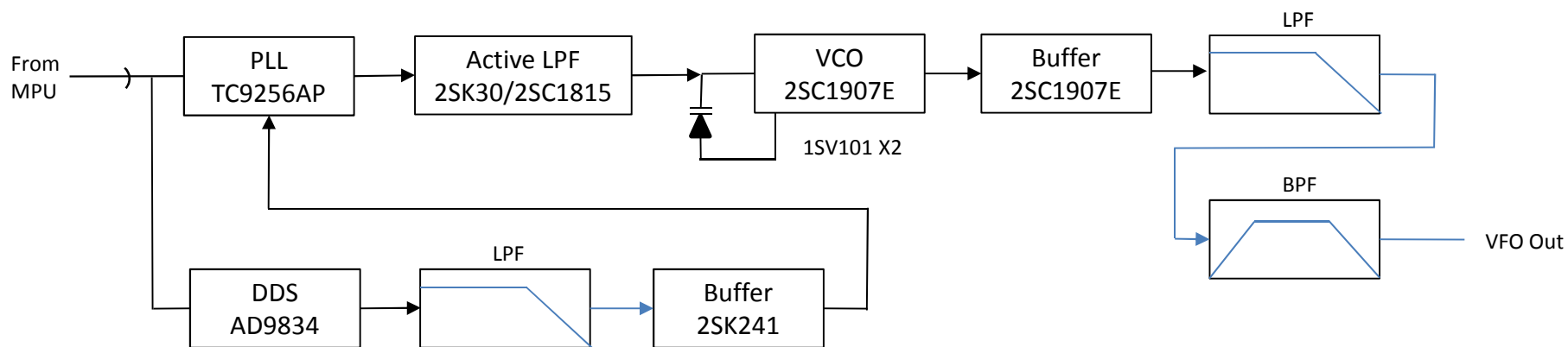
# Mark-94 Main part block diagram



# Mark-94 RF block diagram



### Mark-94 VFO part



### Mark-94 2nd OSC part

